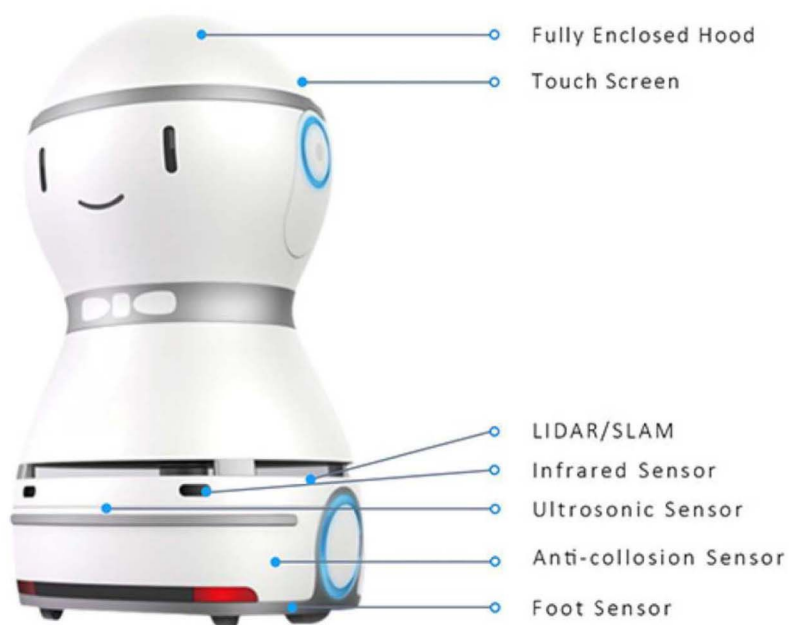




# PEANUT

Hotel Robot

The Hotel Robot uses Machine Vision and Deep Visual Recognition along with LIDAR, Infrared sensor, and other sensors to help hotels generate revenues while improving user experience. It can deliver drinks, snacks and other items autonomously to guest rooms by self navigating and avoiding any obstacle that it may come across on the way.



## FEATURES

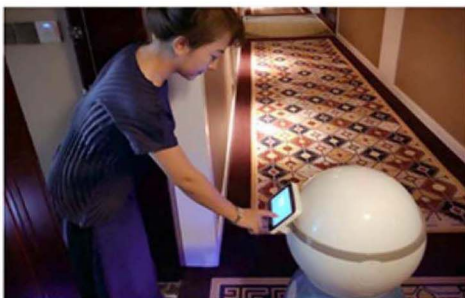
- Manual/Auto Charging Capabilities.
- Autonomous navigation and positioning.
- Autonomous obstacle avoidance.
- 10 hours Battery life
- Works in diverse climatic conditions (0° C to 45° C)
- Life Span of about 10,000 hours
- Works in indoor, smooth floors.

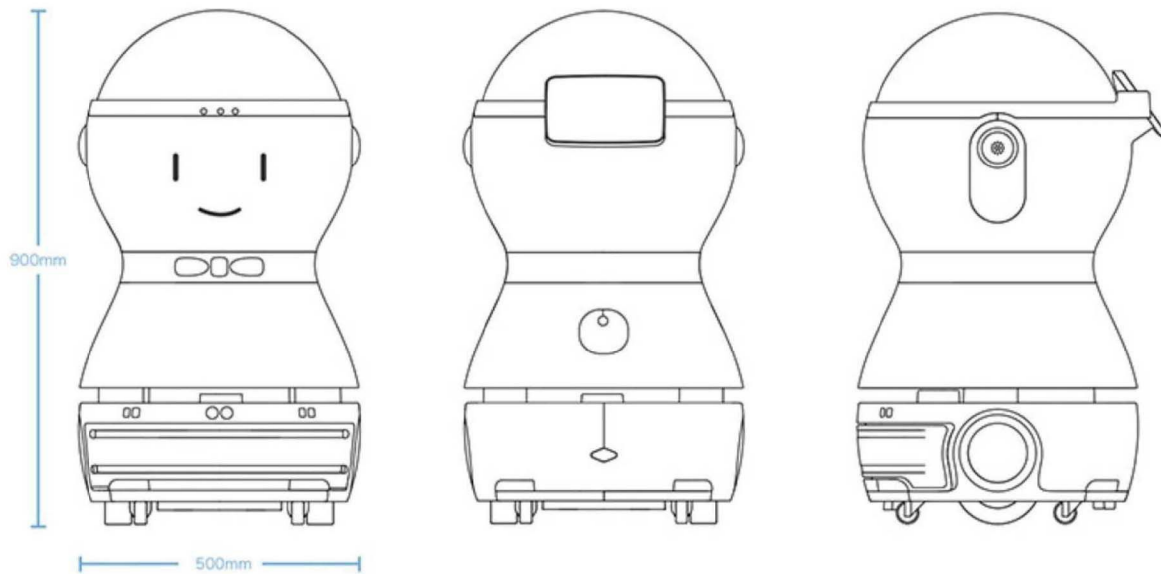
## BENEFITS

- Flexibility in Climatic Conditions
- Low capital investment
- Accurate delivery.
- Can auto charge.
- Reliable and Fatigueless Service.
- Helps to improve social media rankings.

## APPLICATIONS

hotel, office and other places need delivery man.





Data Sheet	
Model	G3
Dimensions	500x500x900mm
N.W.	65 kgs
Max Speed	0.1 ~ 1 m/s
Max Slope	≤ 5 degree
Rated Power	90 W
Battery Capacity	DC 48V 12 Ah
Battery Life	10 hrs
Standby Current	< 0.5A
Standby Time	≥ 48 hrs
Life Span	10000 hrs
Working Environment	indoor, smooth floor
Environment Temperature	0~45°C
Type of Charging	Auto/Manual
Time of Charging	4 hrs

Data Sheet	
Dimensions Of The Charging Set	230x220x290mm
Weight Of The Charging Set	1 kg
Networks	WIFI/4G/Blue tooth
WIFI	802.11b/g/n
Available Colors	White

Sensors	
LIDAR	Y
SLAM	Y
Machine Vision	Y
Deep Visual Recognition	Y
Sonar Sensor	Y
Infrared Sensor	Y
Contact Sensor	Y

**IMPORTANT NOTICE:**

This spec sheet is meant for commercial purpose only. Specifications are subject to change without notice.