

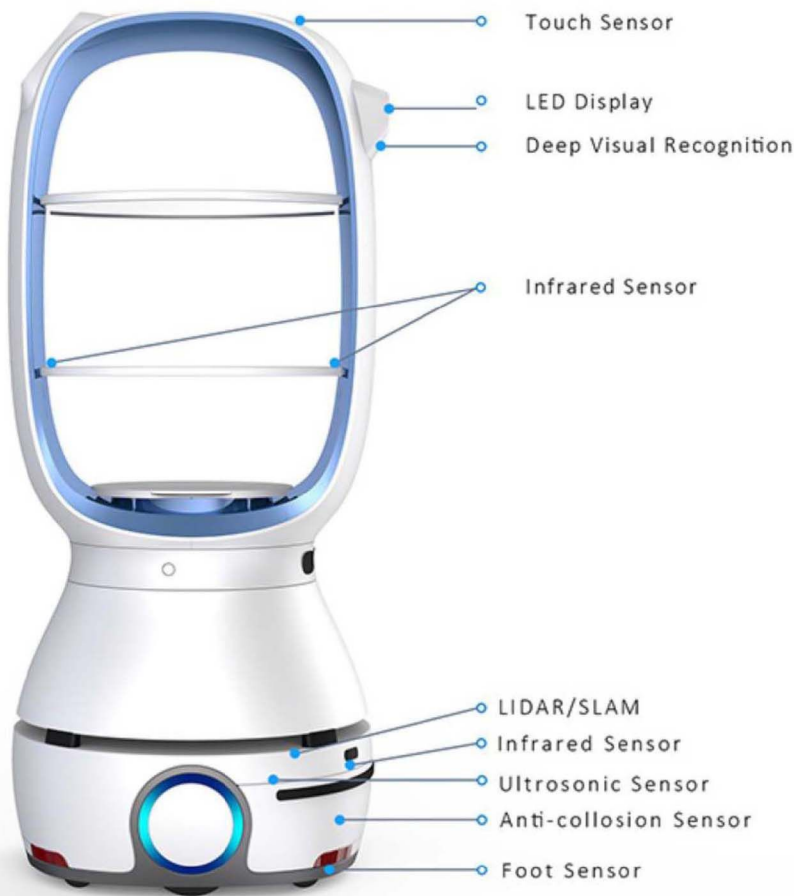


PEANUT

Commercial Delivery Service Robots

Envisioned to bring some joy and amusement into everyday life, Commercial Delivery has been built for you to provide a reliable and warm waiting service for your everyday needs. It can be used in restaurants, hotels and other commercial areas.

These robots with the help deep visual recognition and machine vision realize autonomous, accurate path planning and navigation. Different inbuilt sensors are used to guarantee precise obstacle avoidance as well.



FEATURES

- Multiple trays with different dimensions.
- More than 8 hours Battery life
- Manual/Auto Charging Capabilities.
- Works in diverse climatic conditions (0° C to 45° C)
- Life Span of about 45,000 hours
- Works in indoor, smooth floors.
- Inbuilt Wi-Fi, Bluetooth and 4G technology.
- Available Colors- Blue, Pink and Purple.
- Weighs about 60kgs.
- Can carry up to 10 kg weight at once.

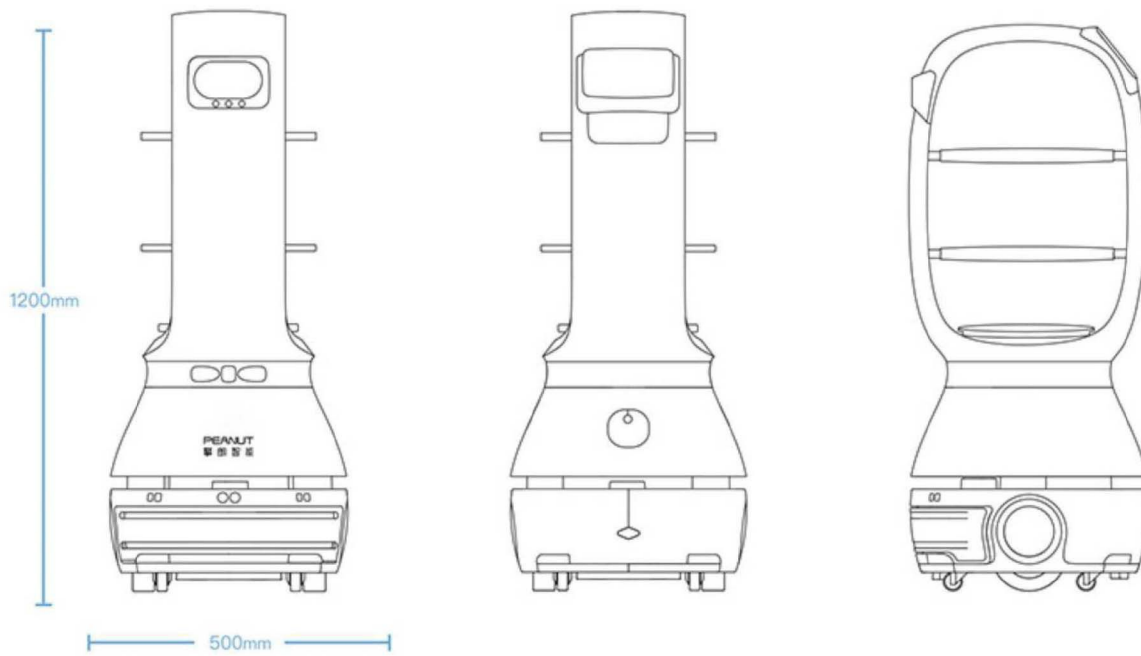
BENEFITS

- Flexibility in Climatic Conditions.
- Can auto charge.
- Autonomous navigation and positioning.
- Helps to improve social media rankings.
- Available in Multiple Colors.
- Long Battery life.

APPLICATIONS

restaurant, hotel, office, events and other places need delivery man.





Data Sheet		Data Sheet	
Model	T1	Type of Charging	Auto/Manual
Dimensions	500x500x1200mm	Time of Charging	4 hrs
N.W.	60 kgs	Dimensions Of The Charging Set	230x220x290mm
Size of the top and middle trays	400x350x200mm	Weight Of The Charging Set	1 kg
Size of the bottom tray	∅ 280 x H140mm	Networks	WIFI/4G/Blue tooth
Max load per tray	10kg	WIFI	802.11b/g/n
Max Speed	1 m/s	Available Colors	Black/Blue/Purple
Max Slope	≤ 5 degree	Sensors	
Rated Power	500 W	LIDAR	Y
Battery Capacity	DC 48V 12 Ah	SLAM	Y
Battery Life	≥ 8 hrs	Machine Vision	Y
Standby Current	< 0.5A	Deep Visual Recognition	Y
Standby Time	≥ 48 hrs	Sonar Sensor	Y
Life Span	40000 hrs	Infrared Sensor	Y
Working Environment	indoor, smooth floor	Contact Sensor	Y
Environment Temperature	0~45°C		

IMPORTANT NOTICE:

This spec sheet is meant for commercial purpose only. Specifications are subject to change without notice.